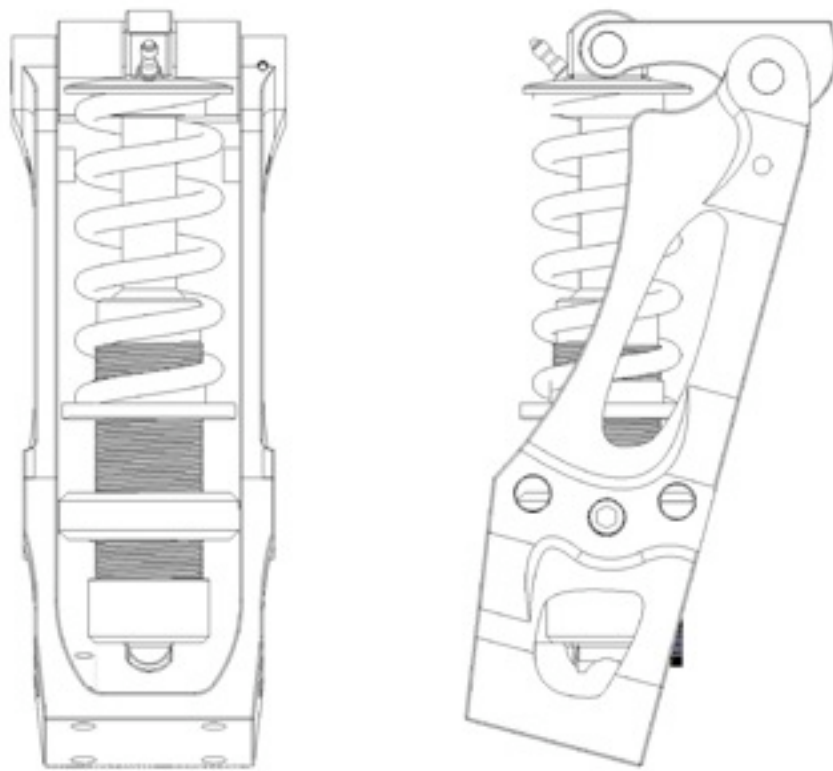




**SYMBIOTECHS USA, LLC**  
EVERYTHING IS POSSIBLE!



# **XT9 ESPK**

(Energy Storing Prosthetic Knee)

PATENT PENDING



### USA L-Codes:

- L-5930 - High activity knee control frame
- L-5824 - Endoskeletal knee-shin system, single axis, fluid swing phase control.
- L-5845 - Knee-shin system, stance flexion feature, adjustable.
- L-5850 - Above knee or hip disarticulation, knee extension assist.



### Pricing:

XT9 ESPK = \$3,199.00 USD

UPS Shipping

Continental US = \$14.99

Hawaii, Alaska, Canada = \$49.99-\$89.99

International = Calculated at time of order

Prices subject to change at at any time

### Pros:

- Energy store and release function mimics quadriceps function
- High strength knee frame rated to 295 lbs
- Adjustable stance
- Adjustable extension assist
- Adjustable hydraulic dampening
- Dynamic function in bent knee, athletic stance situations
- Water proof -Warranted for fresh and salt water use
- 20°-75° Optimum range of motion for compatible sports use
- Aluminum, Titanium, Stainless Steel knee unit with a net weight of only 907 grams
- 2.5 year warranty.

### Cons:

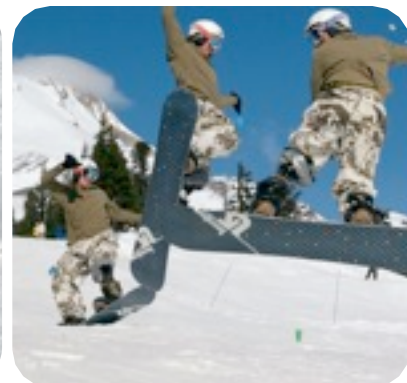
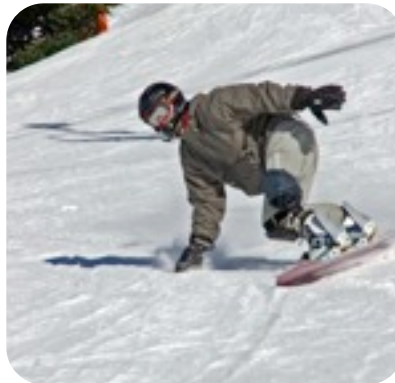
- NOT A WALKING LIMB
- Cannot run with the XT9 ESPK
- Not for normal every day use

### Compatible activities:

- Alpine skiing
- Cross country skiing
- Telemark skiing
- Snowboarding
- Wakeboarding
- Surfing
- Skate boarding
- Water skiing
- Scuba diving
- Rock climbing
- Kite boarding
- Swimming
- Snowmobile
- Fly fishing
- Wind surfing
- Ice climbing
- Inline skating
- Ice skating

## Technical data:

- European four hole pattern for compatibility to pyramid adaptors at top and bottom
- Weight limit 295 lbs (133 Kilograms)
- Weighs 32 ounces (907 grams)
- Range of flexion 15°-75°
- 8.25" tall, 3" wide, 3" deep
- Materials: Aluminum (mil spec hard anodized), Titanium, Stainless steel



### **Your XT9 ESPK Limited Warranty:**

- The specific warranty covering your SymbioTechs USA, LLC XT9 Energy Storing Prosthetic Knee is governed by the law of the state or country in which it was purchased, and applies only to products purchased from Authorized SymbioTechs USA, LLC distributors or SymbioTechs USA, LLC directly.
- **FRAMES:** SymbioTechs USA knee frames are warranted by SymbioTechs USA, LLC, against manufacturing defects in materials and/or workmanship for the lifetime of the original owner.
- **Components:** All other components, including suspension parts, frame fixtures, bearings, threaded inserts and spacers are warranted against manufacturing defects in materials and/or workmanship for a period of two years from the date of original retail purchase.

### **TERMS OF WARRANTY:**

- This warranty is not meant to suggest or imply that the this prosthetic unit cannot be broken or will last forever. It does mean that the XT9 Energy Storing Prosthetic Knee is covered subject to the terms of the warranty.
- This warranty applies only to the original owner of a SymbioTechs USA XT9 Energy Storing Prosthetic Knee and is not transferable to subsequent owners.
- For any warranty claim to be considered, the XT9 unit must be returned to SymbioTechs USA, LLC. The unit must be in assembled condition and accompanied by the original, dated sales receipt. (Be sure to keep your receipt in a safe place.)
- This warranty is void if the unit is subjected to abuse, neglect, improper repair, improper maintenance, alteration, modification, an accident or other abnormal, excessive, or improper use.
- Damage resulting from normal wear and tear, including the results of fatigue, is not covered beyond 2.5 years from time of purchase. Fatigue damage is a symptom of the frame being worn out through normal use. It is one kind of normal wear and tear, and it is the owner's responsibility to inspect his/her unit regularly.
- Damage resulting from improper assembly or maintenance, or from installation of parts and accessories not compatible with the XT9 Energy Storing Prosthetic Knee, is not covered.
- All labor charges for warranty service are the responsibility of the unit's owner. During the duration of this warranty, SymbioTechs USA will either repair, or, at our option, replace any defective unit with the same or most nearly comparable model then available.

THIS IS THE EXCLUSIVE REMEDY UNDER THIS WARRANTY. ANY AND ALL OTHER REMEDIES AND DAMAGES THAT MAY OTHERWISE BE APPLICABLE ARE EXCLUDED, INCLUDING, BUT NOT LIMITED TO, INCIDENTAL OR CONSEQUENTIAL DAMAGES OR PUNITIVE DAMAGES. THIS IS THE ONLY WARRANTY MADE BY SYMBIOTECHS USA, LLC ON ITS PROSTHETIC FRAMES AND COMPONENTS, AND THERE ARE NO WARRANTIES WHICH EXTEND BEYOND THE DESCRIPTION HEREIN. ANY WARRANTIES THAT MAY OTHERWISE BE IMPLIED BY LAW INCLUDING, BUT NOT LIMITED TO, ANY IMPLIED

WARRANTY OF MERCHANTABILITY OR FITNESS FOR A PARTICULAR PURPOSE ARE EXCLUDED.

This Limited Warranty gives the consumer specific legal rights. The consumer may also have other legal rights which vary from state to state or country to country. Some states and countries do not allow the exclusion or limitation of incidental or consequential damages or warranties, so the above imitations or exclusions may not apply to you. If it is determined by a court of competent jurisdiction that a certain provision of this limited warranty does not apply, such determination shall not affect any other provision of this limited warranty and all other provisions shall remain in effect.



## Testimonials:

### - Adaptive Action Sports:

“A handful of our athletes use the XT9. Because of this knee, they are achieving a level of snowboarding that was once out of reach for AK snowboarders. We highly support what SymbioTechs USA has done for amputees and action sports.”

### - E.J. Poplawski:

“The XT9 is the only knee that would allow me to telemark ski!!! It pretty much works how I thought it would, Great!! By the third run I was linking 5 to 7 telemark turns in a row, of course if you were not a good telemark skier before it is going to be more difficult! Alpine turns work great also, I was actually carving turns in an alpine stance with my XT9! Standing, Skating, Sidestepping, Walking, and Kick Turns, they all are possible with the XT9”

### - Danielle Burt:

“I purchased the XT9 so I could skateboard again. Something that I was told would be impossible to do since I became an amputee in 2004. I started skating again this year(2007) and have been brought on a US skate tour with AAS... I guess you can say it's lived up to my expectations ;) With the help of the XT9 Im more active now than I was before my motorcycle accident. The XT9 makes my passions possible again. I feel that Id still pursue my love even if I didn't have this knee but not with as much ease and it definitely wouldn't be as fun. The XT9 is incredible. Period.”

**-Nicole Roundy:**

“I love it because of what it allows me to do, but I admit. . . Its not perfect ;) For one, this knee is not designed for walking or running. I've seen it used for skateboarding, wakeboarding, snowboarding, telemark skiing, and rock climbing. With the exception of climbing, all of these sports were virtually inaccessible. SO YAY to the revolution and a continually improving product. I initially purchased the XT9 for snowboarding but have tested its function with wakeboarding and rock climbing as well. Its unique in the sense that it allows us to break barriers in extreme sports and has allowed me to dream bigger than I had ever imagined. When a friend of mine introduced me to the XT9 I was ecstatic and started thinking forward to slope-style competition and riding the half-pipe. Now, compared to other riders I still have a long ways to go, but the XT9 is the only knee ever designed to take me where I want to go. Since the XT9 doesn't simply collapse, its quiet simple to learn how to apply it in sports. Seriously, you notice a magnificent difference in your ability the first day. Now, I've heard that you can use the C-Leg for snowboarding and all that, but there's one problem: Its not designed to absorb shock or store energy. So, if you already own one, sure you can learn how to carve that way and even hit the slalom course, but don't even think about tackling the terrain park! In the long run the XT9 is the only knee that will take you further than your average gaper.





## **Return Policy:**

*The XT9 ESPK may be setup and tested in the prosthetist clinic only and must be returned in new, resalable condition within a period of fourteen (14) days from the time of delivery. SymbioTechs USA, LLC reserves the privilege to inspect returned items to insure that the item is in returnable condition. If the item is not in returnable condition it will be returned to the purchaser and shipping will be charged to the purchaser. **All S&H changes are non refundable. Due to the nature of the industry and this product, a restocking fee of \$275.00 will be charged per unit on all returns.***

*This return policy applies only to XT9 ESPK units purchased for use in the activities for which it is intended for. We strive to make the benefits and the limitations of this product very clear. This is a specialized product designed specifically to allow users to participate in activities that are not possible with a standard walking limb. It creates a large burden on our company and inventory when the XT9 is purchased for uses it is not suited to and then returned. In an effort to limit this burden returns **will not be accepted** on any XT9 ESPK which is purchased or intended for any use not listed by SymbioTechs USA, LLC as an approved use for the XT9 ESPK.*

### **Compatible activities include:**

- Alpine skiing
- Cross country skiing
- Telemark skiing
- Snowboarding
- Wakeboarding
- Surfing
- Skate boarding
- Water skiing
- Scuba diving
- Rock climbing
- Kite boarding
- Swimming
- Fly fishing
- Wind surfing
- Ice climbing
- Inline skating
- Ice skating

